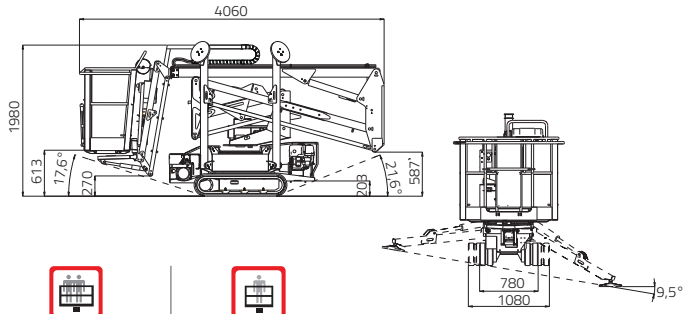
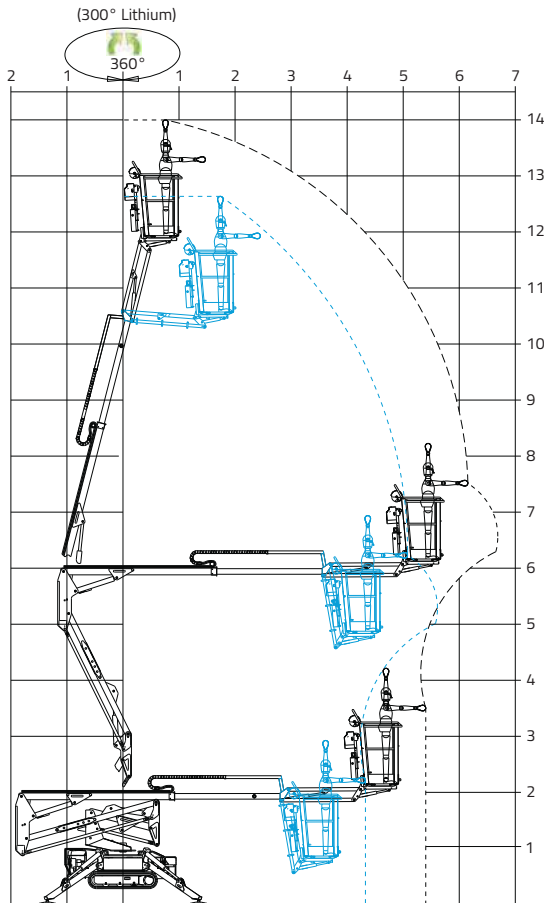


# GOLDLIFT 14.70 IIS



	12,68 m	14,00 m
	5,66 m	7,00 m
	4,06 m	
	3,87 m	
	2,01 m	
	1.335x690xh.1.100 mm	
	15° / 26,8 %	
	1700 kg / 3747,85 lb (Honda-Hatz) 1810 kg / 3990 lb (Lithium-ion)	
	<ul style="list-style-type: none"> <li>▪ Honda iGX390 Automatic rpm control 11,7 CV - 3600 rpm</li> <li>▪ Hatz 1B40 HD autorev system 10 CV - 3600 rpm</li> </ul>	
	2,2kW-230V-50Hz 2,2kW-110V-50Hz	
		<ul style="list-style-type: none"> <li>Optional - <i>Optional</i></li> <li>▪ Honda / Hatz I - 1,4 km/h / II - 1,4-2,8 km/h</li> <li>▪ Lithium-ion I - 1,2 km/h / II - 1,2-2,4 km/h</li> </ul>
		786/1086 mm
		1.330 da N - 1,9 da N/cm <sup>2</sup>
		2.700 x 2.700 mm
		Automatic set up system IIS std IIS - Abstütz- und Einfahrtomatik serienmässig
		Radio-control Funkfernbedienung
		GPRS-GPS
		R.A.H.M.
		100Ah/48V Optional - <i>Optional</i>

